



# CLEAN FITTING



CERTIFICACIÓN ISO 9001



Pídale en cajas, conseguirá un mejor almacenaje.



La nueva serie CLEAN FITTING ha sido diseñada para la conducción de fluidos y gases asegurando la máxima pureza en la conducción.

Disponibles en 2 versiones: Serie C con cuerpo y roscas en polipropileno y la serie CL con cuerpos polipropileno/inox y roscas inox. Racores fabricados con materia prima según norma FDA y libres de aceites y siliconas. Cuerpo en polipropileno translúcido para control visual fluido.

Ensamblados y embalados en SALA BLANCA en bolsas individuales que garantizan la máxima pureza y limpieza en cada pieza.

### CARACTERÍSTICAS:

- . Presión máxima de trabajo: 7 bar a +20°C. (ver tabla presión Vs Temperatura)
- . Vacío: -750mmHg.
- . Rango temperatura: -20°C a +80°C.
- . Conexiones: Roscas BSPT y BSPP

### NORMAS:

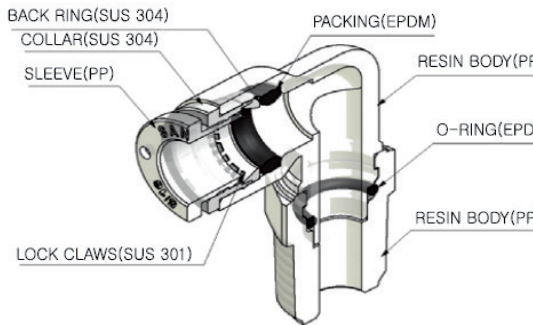
- . FDA 21 CFR 177.1520 (PP).
- . FDA 21 CFR 177.2600 (EPDM).



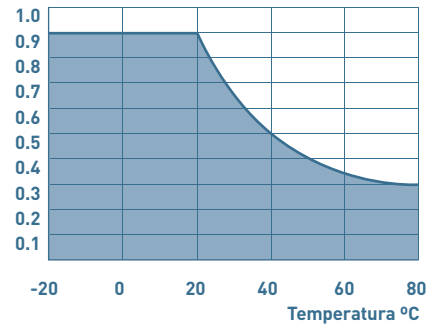
### APLICACIONES:

- . Agua Pura.
- . Aire de limpieza.
- . Fluidos medicinales.
- . Industria alimentaria.
- . Filtración y purificación de agua.
- . Química en general.

### C SERIES



### Presión Mpa



## SERIE C POLIPROPILENO

| Ref.      | Ø D | R    | Ud./caja |
|-----------|-----|------|----------|
| CPC 04-01 | 4   | 1/8" | 100      |
| CPC 04-02 | 4   | 1/4" | 100      |
| CPC 06-01 | 6   | 1/8" | 100      |
| CPC 06-02 | 6   | 1/4" | 100      |
| CPC 08-01 | 8   | 1/8" | 100      |
| CPC 08-02 | 8   | 1/4" | 100      |
| CPC 10-02 | 10  | 1/4" | 50       |
| CPC 10-03 | 10  | 3/8" | 25       |
| CPC 10-04 | 10  | 1/2" | 25       |
| CPC 12-03 | 12  | 3/8" | 25       |
| CPC 12-04 | 12  | 1/2" | 25       |



**CPC**  
Recto Tubo-Rosca macho cónica

| Ref.       | Ø D1 | Ø D2 | Ud./caja |
|------------|------|------|----------|
| CPGJ 06-04 | 6    | 4    | 100      |
| CPGJ 08-04 | 8    | 4    | 100      |
| CPGJ 08-06 | 8    | 6    | 100      |
| CPGJ 10-06 | 10   | 6    | 100      |
| CPGJ 10-08 | 10   | 8    | 100      |
| CPGJ 12-08 | 12   | 8    | 100      |
| CPGJ 12-10 | 12   | 10   | 100      |



**CPGJ**  
Reductor Tubo

| Ref.      | Ø D | R    | Ud./caja |
|-----------|-----|------|----------|
| CPL 04-01 | 4   | 1/8" | 100      |
| CPL 04-02 | 4   | 1/4" | 100      |
| CPL 06-01 | 6   | 1/8" | 50       |
| CPL 06-02 | 6   | 1/4" | 50       |
| CPL 08-01 | 8   | 1/8" | 50       |
| CPL 08-02 | 8   | 1/4" | 50       |
| CPL 10-02 | 10  | 1/4" | 20       |
| CPL 10-03 | 10  | 3/8" | 20       |
| CPL 10-04 | 10  | 1/2" | 20       |
| CPL 12-03 | 12  | 3/8" | 20       |
| CPL 12-04 | 12  | 1/2" | 20       |



**CPL**  
Codo 90° Tubo-Rosca macho cónica

| Ref.      | Ø D | R    | Ud./caja |
|-----------|-----|------|----------|
| CPT 04-01 | 4   | 1/8" | 50       |
| CPT 04-02 | 4   | 1/4" | 50       |
| CPT 06-01 | 6   | 1/8" | 50       |
| CPT 06-02 | 6   | 1/4" | 50       |
| CPT 08-01 | 8   | 1/8" | 50       |
| CPT 08-02 | 8   | 1/4" | 50       |
| CPT 10-02 | 10  | 1/4" | 20       |
| CPT 10-03 | 10  | 3/8" | 20       |
| CPT 10-04 | 10  | 1/2" | 20       |
| CPT 12-03 | 12  | 3/8" | 15       |
| CPT 12-04 | 12  | 1/2" | 15       |



**CPT**  
"T" Tubo-Rosca macho cónica-Tubo

## SERIE C POLIPROPILENO

| Ref.    | Ø D1 | Ø D2 | Ud./caja |
|---------|------|------|----------|
| CPUC 04 | 4    | 4    | 100      |
| CPUC 06 | 6    | 6    | 50       |
| CPUC 08 | 8    | 8    | 50       |
| CPUC 10 | 10   | 10   | 50       |
| CPUC 12 | 12   | 12   | 20       |



**CPUC**  
Recto Tubo-Tubo

| Ref.    | Ø D1 | Ø D2 | Ud./caja |
|---------|------|------|----------|
| CPUL 04 | 4    | 4    | 100      |
| CPUL 06 | 6    | 6    | 50       |
| CPUL 08 | 8    | 8    | 50       |
| CPUL 10 | 10   | 10   | 25       |
| CPUL 12 | 12   | 12   | 20       |



**CPUL**  
Codo 90° Tubo-Tubo

| Ref.    | Ø D1 | Ø D2 | Ø D3 | Ud./caja |
|---------|------|------|------|----------|
| CPUT 04 | 4    | 4    | 4    | 100      |
| CPUT 06 | 6    | 6    | 6    | 50       |
| CPUT 08 | 8    | 8    | 8    | 25       |
| CPUT 10 | 10   | 10   | 10   | 20       |
| CPUT 12 | 12   | 12   | 12   | 15       |



**CPUT**  
"T" Tubo-Tubo-Tubo

| Ref.   | Ø D1 | Ø D2 | Ø D3 | Ud./caja |
|--------|------|------|------|----------|
| CPY 04 | 4    | 4    | 4    | 100      |
| CPY 06 | 6    | 6    | 6    | 50       |
| CPY 08 | 8    | 8    | 8    | 50       |
| CPY 10 | 10   | 10   | 10   | 20       |
| CPY 12 | 12   | 12   | 12   | 15       |



**CPY**  
Y Tubo-Tubo-Tubo

| Ref.    | Ø D1 | Ø D2 | Ud./caja |
|---------|------|------|----------|
| CPMM 04 | 4    | 4    | 100      |
| CPMM 06 | 6    | 6    | 50       |
| CPMM 08 | 8    | 8    | 50       |
| CPMM 10 | 10   | 10   | 25       |
| CPMM 12 | 12   | 12   | 25       |



**CPMM**  
Recto Tubo-Tubo  
Pasamuros

| Ref.       | Ø D1 | Ø D2 | R    | Ud./caja |
|------------|------|------|------|----------|
| CPST 04-01 | 4    | 4    | 1/8" | 100      |
| CPST 04-02 | 4    | 4    | 1/4" | 50       |
| CPST 06-01 | 6    | 6    | 1/8" | 50       |
| CPST 06-02 | 6    | 6    | 1/4" | 25       |
| CPST 08-01 | 8    | 8    | 1/8" | 25       |
| CPST 08-02 | 8    | 8    | 1/4" | 50       |
| CPST 10-02 | 10   | 10   | 1/4" | 20       |
| CPST 10-03 | 10   | 10   | 3/8" | 20       |
| CPST 10-04 | 10   | 10   | 1/2" | 20       |
| CPST 12-03 | 12   | 12   | 3/8" | 15       |
| CPST 12-04 | 12   | 12   | 1/2" | 15       |



**CPST**  
"T" Rosca macho cónica  
-Tubo-Tubo



# CLEAN FITTING



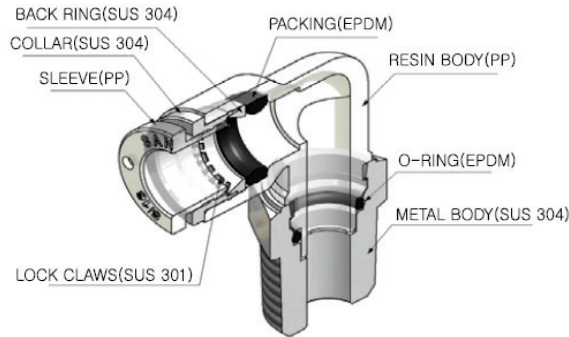
CERTIFICACIÓN ISO 9001



Pídalo en cajas,  
conseguirá un mejor  
almacenaje.



## CL SERIES



## SERIE CL POLIPROPILENO-INOX

| Ref.       | Ø D | R    | Ud./caja |
|------------|-----|------|----------|
| CLPC 04-01 | 4   | 1/8" | 100      |
| CLPC 04-02 | 4   | 1/4" | 100      |
| CLPC 06-01 | 6   | 1/8" | 100      |
| CLPC 06-02 | 6   | 1/4" | 100      |
| CLPC 08-01 | 8   | 1/8" | 100      |
| CLPC 08-02 | 8   | 1/4" | 100      |
| CLPC 10-02 | 10  | 1/4" | 50       |
| CLPC 10-03 | 10  | 3/8" | 25       |
| CLPC 10-04 | 10  | 1/2" | 25       |
| CLPC 12-03 | 12  | 3/8" | 25       |
| CLPC 12-04 | 12  | 1/2" | 25       |



**CLPC**  
Recto Tubo-Rosca  
macho cónica

| Ref.        | Ø D | R    | Ud./caja |
|-------------|-----|------|----------|
| CLPC 04-M5  | 4   | M5   | 100      |
| CLPC 04-G01 | 4   | 1/8" | 100      |
| CLPC 04-G02 | 4   | 1/4" | 100      |
| CLPC 06-M5  | 6   | M5   | 100      |
| CLPC 06-G01 | 6   | 1/8" | 100      |
| CLPC 06-G02 | 6   | 1/4" | 100      |
| CLPC 08-G01 | 8   | 1/8" | 100      |
| CLPC 08-G02 | 8   | 1/4" | 100      |
| CLPC 10-G02 | 10  | 1/4" | 50       |
| CLPC 10-G03 | 10  | 3/8" | 50       |
| CLPC 10-G04 | 10  | 1/2" | 50       |
| CLPC 12-G03 | 12  | 3/8" | 50       |
| CLPC 12-G04 | 12  | 1/2" | 25       |



**CLPC-G**  
Recto Tubo-Rosca  
macho cilíndrica

| Ref.         | Ø D | R    | Ud./caja |
|--------------|-----|------|----------|
| CLPCF 04-M5  | 4   | M5   | 100      |
| CLPCF 04-G01 | 4   | 1/8" | 100      |
| CLPCF 04-G02 | 4   | 1/4" | 100      |
| CLPCF 06-G01 | 6   | 1/8" | 100      |
| CLPCF 06-G02 | 6   | 1/4" | 50       |
| CLPCF 08-G01 | 8   | 1/8" | 50       |
| CLPCF 08-G02 | 8   | 1/4" | 50       |
| CLPCF 10-G02 | 10  | 1/4" | 50       |
| CLPCF 10-G03 | 10  | 3/8" | 25       |
| CLPCF 10-G04 | 10  | 1/2" | 25       |
| CLPCF 12-G03 | 12  | 3/8" | 25       |
| CLPCF 12-G04 | 12  | 1/2" | 25       |



**CLPCF-G**  
Recto Tubo-Rosca  
hembra cilíndrica

| Ref.     | Ø D1 | Ø D2 | Ud./caja |
|----------|------|------|----------|
| CLPMM 04 | 4    | 4    | 100      |
| CLPMM 06 | 6    | 6    | 50       |
| CLPMM 08 | 8    | 8    | 50       |
| CLPMM 10 | 10   | 10   | 25       |
| CLPMM 12 | 12   | 12   | 25       |



**CLPMM**  
Recto Tubo-Tubo Pasamuros

| Ref.       | Ø D | R    | Ud./caja |
|------------|-----|------|----------|
| CLPL 04-01 | 4   | 1/8" | 100      |
| CLPL 04-02 | 4   | 1/4" | 100      |
| CLPL 06-01 | 6   | 1/8" | 50       |
| CLPL 06-02 | 6   | 1/4" | 50       |
| CLPL 08-01 | 8   | 1/8" | 50       |
| CLPL 08-02 | 8   | 1/4" | 50       |
| CLPL 10-02 | 10  | 1/4" | 20       |
| CLPL 10-03 | 10  | 3/8" | 20       |
| CLPL 10-04 | 10  | 1/2" | 20       |
| CLPL 12-03 | 12  | 3/8" | 20       |
| CLPL 12-04 | 12  | 1/2" | 20       |



**CLPL**  
Codo 90° Tubo-Rosca  
macho cónica

| Ref.        | Ø D | R    | Ud./caja |
|-------------|-----|------|----------|
| CLPL 04-M5  | 4   | M5   | 100      |
| CLPL 04-G01 | 4   | 1/8" | 100      |
| CLPL 04-G02 | 4   | 1/4" | 100      |
| CLPL 06-M5  | 6   | M5   | 100      |
| CLPL 06-G01 | 6   | 1/8" | 100      |
| CLPL 06-G02 | 6   | 1/4" | 50       |
| CLPL 08-G01 | 8   | 1/8" | 50       |
| CLPL 08-G02 | 8   | 1/4" | 50       |
| CLPL 10-G02 | 10  | 1/4" | 25       |
| CLPL 10-G03 | 10  | 3/8" | 25       |
| CLPL 10-G04 | 10  | 1/2" | 25       |
| CLPL 12-G03 | 12  | 3/8" | 20       |
| CLPL 12-G04 | 12  | 1/2" | 20       |



**CLPL-G**  
Codo 90° Tubo-Rosca  
macho cilíndrica



NEW!

## SERIE CL POLIPROPILENO-INOX

| Ref.       | Ø D | R    | Ud./caja |
|------------|-----|------|----------|
| CLPT 04-01 | 4   | 1/8" | 100      |
| CLPT 04-02 | 4   | 1/4" | 50       |
| CLPT 06-01 | 6   | 1/8" | 50       |
| CLPT 06-02 | 6   | 1/4" | 50       |
| CLPT 08-01 | 8   | 1/8" | 50       |
| CLPT 08-02 | 8   | 1/4" | 50       |
| CLPT 10-02 | 10  | 1/4" | 20       |
| CLPT 10-03 | 10  | 3/8" | 20       |
| CLPT 10-04 | 10  | 1/2" | 20       |
| CLPT 12-03 | 12  | 3/8" | 15       |
| CLPT 12-04 | 12  | 1/2" | 15       |



**CLPT**

"T" Tubo-Rosca macho cónica-Tubo

| Ref.        | Ø D | R    | Ud./caja |
|-------------|-----|------|----------|
| CLPT 04-M5  | 4   | M5   | 100      |
| CLPT 04-G01 | 4   | 1/8" | 100      |
| CLPT 04-G02 | 4   | 1/4" | 50       |
| CLPT 06-M5  | 6   | M5   | 50       |
| CLPT 06-G01 | 6   | 1/8" | 50       |
| CLPT 06-G02 | 6   | 1/4" | 50       |
| CLPT 08-G01 | 8   | 1/8" | 50       |
| CLPT 08-G02 | 8   | 1/4" | 50       |
| CLPT 10-G02 | 10  | 1/4" | 25       |
| CLPT 10-G03 | 10  | 3/8" | 25       |
| CLPT 10-G04 | 10  | 1/2" | 25       |
| CLPT 12-G03 | 12  | 3/8" | 20       |
| CLPT 12-G04 | 12  | 1/2" | 20       |



**CLPT-G**

"T" Tubo-Rosca macho cilíndrica-Tubo

| Ref.        | Ø D | R    | Ud./caja |
|-------------|-----|------|----------|
| CLPST 04-01 | 4   | 1/8" | 100      |
| CLPST 04-02 | 4   | 1/4" | 50       |
| CLPST 06-01 | 6   | 1/8" | 50       |
| CLPST 06-02 | 6   | 1/4" | 50       |
| CLPST 08-01 | 8   | 1/8" | 50       |
| CLPST 08-02 | 8   | 1/4" | 50       |
| CLPST 10-02 | 10  | 1/4" | 20       |
| CLPST 10-03 | 10  | 3/8" | 20       |
| CLPST 10-04 | 10  | 1/2" | 20       |
| CLPST 12-03 | 12  | 3/8" | 15       |
| CLPST 12-04 | 12  | 1/2" | 15       |



**CLPST**

"T" Rosca macho cónica-Tubo-Tubo

| Ref.         | Ø D | R    | Ud./caja |
|--------------|-----|------|----------|
| CLPST 04-M5  | 4   | M5   | 100      |
| CLPST 04-G01 | 4   | 1/8" | 100      |
| CLPST 04-G02 | 4   | 1/4" | 50       |
| CLPST 06-M5  | 6   | M5   | 50       |
| CLPST 06-G01 | 6   | 1/8" | 50       |
| CLPST 06-G02 | 6   | 1/4" | 50       |
| CLPST 08-G01 | 8   | 1/8" | 50       |
| CLPST 08-G02 | 8   | 1/4" | 50       |
| CLPST 10-G02 | 10  | 1/4" | 25       |
| CLPST 10-G03 | 10  | 3/8" | 25       |
| CLPST 10-G04 | 10  | 1/2" | 25       |
| CLPST 12-G03 | 12  | 3/8" | 20       |
| CLPST 12-G04 | 12  | 1/2" | 20       |



**CLPST-G**

"T" Rosca macho cilíndrica -Tubo-Tubo